

HOLLOW TYPE

38H Model



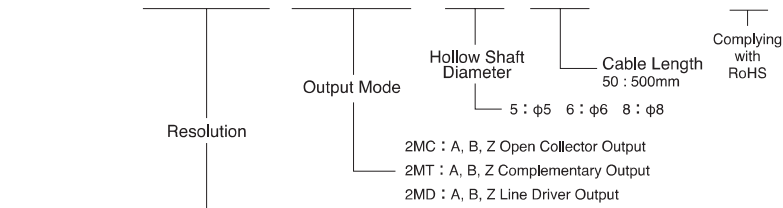
Small Standard Model

•Wide Range of Resolution from 100 to 4096 P/R.



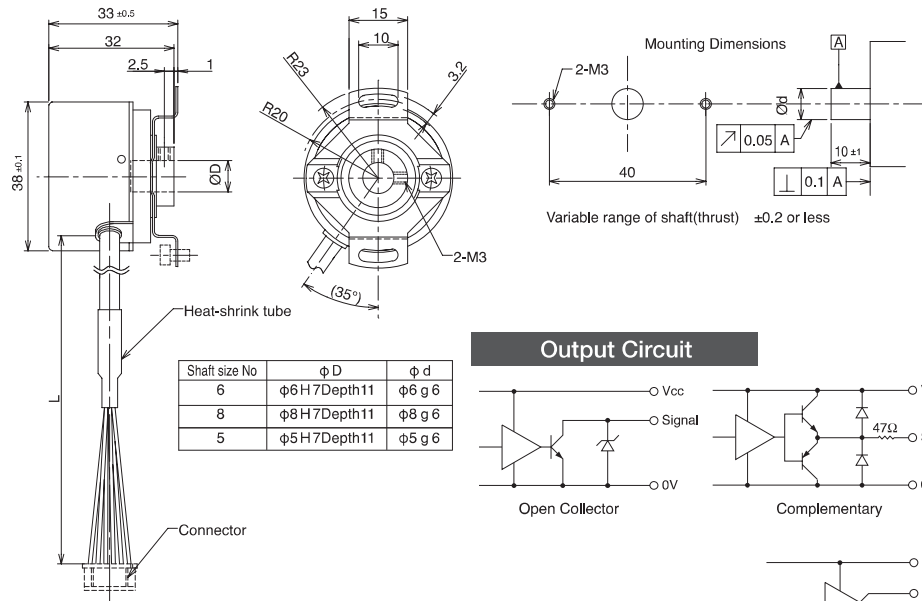
Model

38H- [] - [] - [] - [] -50-B00E

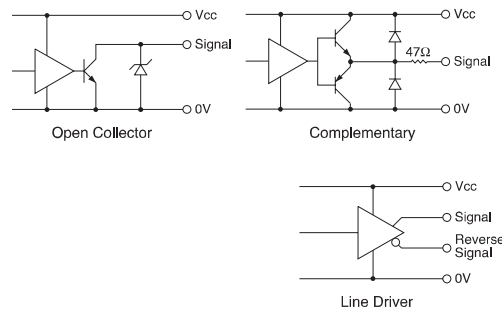


100	100P/R	360	360P/R	600	600 P/R	2000	2000 P/R	4000	4000 P/R
200	200P/R	400	400P/R	800	800 P/R	2048	2048 P/R	4096	4096 P/R
250	250P/R	500	500P/R	1000	1000 P/R	2500	2500 P/R	-	-
300	300P/R	512	512P/R	1024	1024 P/R	3600	3600 P/R	-	-

External Dimension



Output Circuit

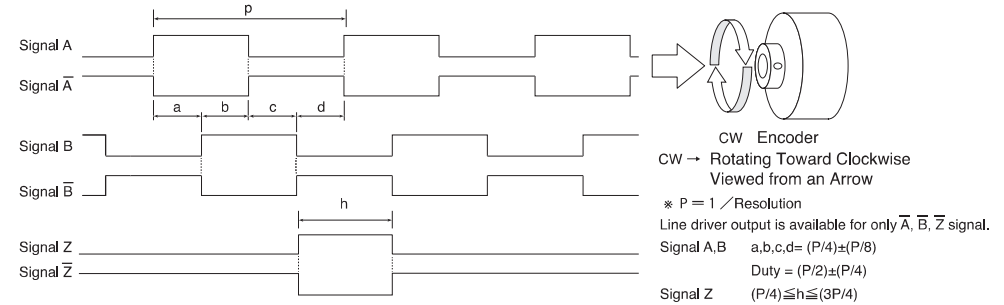


Electrical Spec

TYPE	2MC	2MT	2MD
Power Supply(Vcc)	DC 4.5 to 30V (Ripple 3% or less (P-P))		DC 4.5 to 13.2V (Ripple 3% or Less (P-P))
Current Consumption	30mA Max	60mA Max	30mA Max
Output Voltage	"H"	Vcc -3V Min	2.5V Min
	"L" *1	0.5V Max	3V Max
Maximum Sink Current	40mA		20mA
Maximum Frequency Response	1024P/R or less	120kHz	
	2000P/R or more	240kHz	
Rise & Fall Time	1 μ s Max	200ns Max	100ns Max

*1) at Maximum Sink Current

Wave Form



Electrical Connections

Connector Hirose Electric Co., Ltd. DF3-6S-2C

Open Collector • Complementary		
1	Red	Vcc
2	Black	0 V
3	Blue	Sig A
4	White	Sig B
5	Yellow	Sig Z
6	Shield	N.C

Connector Hirose Electric Co., Ltd. DF3-9S-2C

Line Driver		
1	Red	Vcc
2	Black	0 V
3	Green	Sig A
4	Blue	Sig A
5	White	Sig B
6	Gray	Sig B
7	Yellow	Sig Z
8	Orange	Sig Z
9	Shield	N.C

Mechanical Spec

Starting Torque	0.98x10 ⁻³ N·m Max
Angular Acceleration	1x10 ⁵ rad/s ²
Shaft Loading	Thrust 9.8N
	Radial 29.4N
Moment of Inertia	8x10 ⁻⁷ kg·m ²
Maximum Permissible Speed	6000min ⁻¹
Net Weight	120g Max (Without Cable)

Environmental Spec

Operating Temperature	-10°C~+85°C
Storage Temperature	-30°C~+85°C
Humidity	RH 85% Max No Condensation
Vibration	10~55 Hz / 1.5mm X,Y,Z Each 2h
Shock	490m/s ² , 11ms X, Y, Z Each 3 times
Ingress Protection	IP50